

**HAWKE**  
International

# RCCG

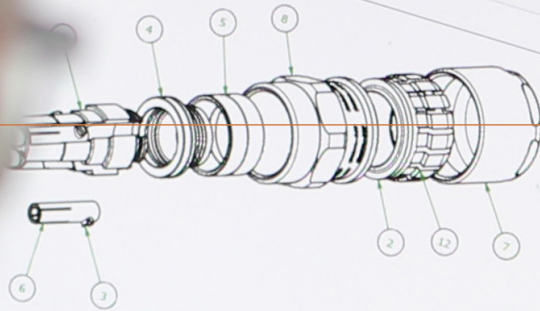
**RAPID CONNECTION GLAND**

..... *For Harsh & Hazardous Environments* .....



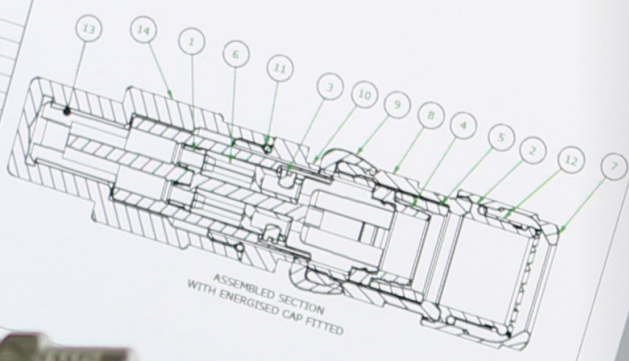
[www.ehawke.com](http://www.ehawke.com)





...LED WHEN ENTRY IS PURCHASED AS AN INDIVIDUAL ITEM.  
... ENTRY IS PURCHASED WITH A BODY (SEE 620165).  
... TRIPLE NBR 070  
... SACHET OF LOXAL SS-03

Part No.	Qty	Comments
225 B	1	
271 B	1	
2713 B	6	
3041 B	1	
3702 B	6	
3701 B	1	
70	1	
3283 B	1	
45	1	
	1	Energised End Cap Option Only



ASSEMBLED SECTION WITH ENERGISED CAP FITTED

RCG Body Assembly

DRG. No.	620152
DRN: PL	
SCALE: N.T.S.	26/07/2018
	SHEET 1 OF 1

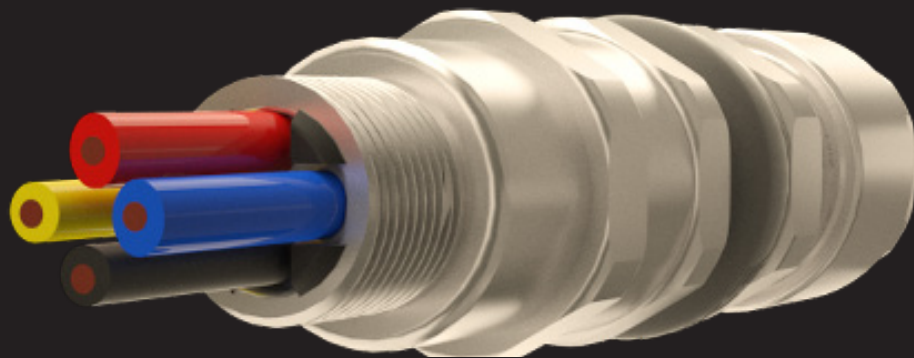
# RCGG

RAPID CONNECTION GLAND

# The **501/RCG** Range.

## Introducing the ultimate hybrid of cable gland and connector.

The range offers rapid termination and disconnection in a cost-effective package, which can reduce ownership expenses by decreasing the time it takes to carry essential inspection, maintenance, and repair & overhaul.



Over the past 60 years, we've built a reputation for manufacturing the highest quality, safest and easiest to install Cable Glands for Harsh and Hazardous environments.

We constantly strive to improve the installation, maintenance, and inspection process for our customers. That's why our Cable Glands include a range of patented features which can't be found anywhere else. In 2019, we launched our biggest set of gland developments in 25 years and, in 2021, we're pushing the boundaries even further with our RCG Cable Gland and Coupler.

## More than a Cable Gland



## ⚡ Reduces Downtime

**Plug and play products allow for much faster connection and disconnect than hard wiring.**

Hard wiring would require a qualified electrician to power down, disassemble the cable gland and cable from the terminal box/ equipment, gland and rewire both ends of the cable, test and then switch the equipment back on.

This could take several hours. The RCG allows for the replacement of equipment in a matter of minutes onsite – dramatically reducing downtime.

## ⚡ Reduces Operating Expenses

**Huge Cost Benefits.**

With quicker installation and hook-ups, reduced downtime, minimised errors, and fewer man hours required, huge cost benefits can be achieved across major projects as well as smaller upgrades.

## ⚡ Easily Swap Out Equipment

**Another Plug and Play Benefit.**

The RCG's plug and play technology makes swapping out existing lighting, instrumentation, and other pieces of critical equipment easier than ever. It can also reduce the amount of Ex equipment required by removing the need additional junction boxes.



# Features & Benefits



## ⚡ Reduces Installation Time & Costs

**By pre-terminating, the RCG, the amount of wiring required (onshore and offshore) is dramatically reduced.**

RCG cable gland installations can also be tested prior to installation with full QA (Quality Assurance) sign off. This dramatically reduces hook up time but also reduces any margin of error during installation onsite.

The RCG's pre-termination capabilities also make it easier to pre-plan installation deployments with more precise hook-up time predictions. Overall, this can reduce on-site connection, commission, and start-up from weeks to a matter of days.

## ⚡ Opportunity for Sealed for Life Fittings

**Less Maintenance.**

The RCG provides the opportunity to make equipment such as lighting sealed for life. A sealed for life product requires less maintenance which contributes to a reduction in operating expenses and the number of man hours required to carry essential works.



# RCG SERIES

More than a Cable Gland

# ⚡ RCG Cable Gland

The 501/RCG Cable Gland combines the features of our market-leading Cable Gland range with the plug and play benefits of a connector.

## Like a Gland, the RCG:

- Can be installed in long term installations
- Offers easy installation
- Suitable for Exe, Zone 1 certified equipment and rated to IP66/67



## Unlike a Gland, however, the RCG Cable Gland also:

- Can be pre-wired and used with sealed for life equipment or during modular fabrication
- Can be quickly disconnected for replacement and maintenance operations
- Provides an opportunity to reduce the amount of Ex equipment required for an installation

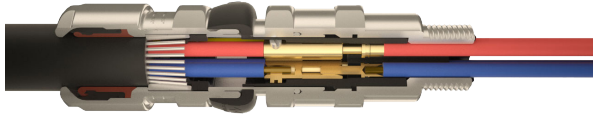
By combining Gland and Connector technology, the RCG offers a rapid connect solution that is much more than a Cable Gland.



# 501/RCG

Increased Safety, Dust Protection  
Certified ATEX / IECEx / UKEx

International Approvals



- 1 Quick disconnect pin and socket arrangement inside the body of a gland
- 2 Reversible Armour Clamp - For all types of armour and braid
- 3 Patented Cable Gland Tightening Guide - Helps prevent damage caused by over tightening
- 4 Unique Rear Seal - Offering ultimate sealing over an extremely wide cable acceptance range

The 501/RCG is certified Exe/Ext, and can be used for quick field connection of cables to equipment where historically hard wiring methods are used. The product offers cost savings when carrying out essential inspection and maintenance activities, including the capability to quickly swap out equipment on-site.

501/RCG Selection Table									
Body Size	Seal/Ring Size	Inner Sheath	Outer Sheath		Steel Wire Armour/Tape/Braid		Entry Thread	Max Hexagon Dimensions	
		Max	Min	Max	Orientation 1	Orientation 2		Across Flats	Across Corners
4-Pin	Os	8.1	5.5	12	0.8-1.25	0-0.8	M20	24	26.5
	O	11.4	9.5	16	0.8-1.25	0-0.8		24	26.5
	A	14.3	12.5	20.5	0.8-1.25	0-0.8		30	32.5
6-pin	O	11.4	9.5	16	0.8-1.25	0-0.8	M25	24	26.5
	A	14.3	12.5	20.5	0.8-1.25	0-0.8		30	32.5
	B	19.7	16.9	26	1.25-1.6	0-0.7		36	39.5
	B(AR)	19.7	16.9	26	0.9-1.25	0.5-0.9		36	39.5

For Alternative Ring with 6-pin B size add "AR" to end of code string

Technical Data	
Ingress Protection	IP66, IP67
Deluge Protection	to DTS01
Voltage Rating	300VAC / 212VDC
Ampage	Dependent on conductor size, see T-Rating Selection Table
Conductor Sizes	0.75mm <sup>2</sup> - 6mm <sup>2</sup>
Over Insulation Acceptance Diameters	Entry Side: Ø4.75mm Body Side: Ø5.50mm
Operating Temperature	-60°C to +60°C (may be limited by T-Class)
ATEX/IECEx	
ATEX/IECEx Protection Class	Ex II 2 GD Ex eb IIC T6/T5 Gb, Ex tb IIIC T80°C/95°C Db Suitable for use in Zone 1, Zone 21, Zone 2 and Zone 22
ATEX Certificate No	CML20ATEX3217X
IECEx Certificate No	CML20.0137X
Construction & Test Standards	IEC/EN 60079-0, IEC/EN 60079-7 and IEC/EN 60079-31
Additional Certifications	Inmetro: IEx 21.0011X UKEx: CML21UKEX3073X



Ordering Information		
Name	501/RCG	Product Type
Number of Pins	4	4 Pins
	6	6 Pins
Body style	E	Entry (Supplied with Energised Cap)
	B	Body (Supplied with Energised Cap)
	G	Entry and Body (Supplied with Transit Caps)
Contact size Selection only required for Body Style E and G	A	0.75mm <sup>2</sup> - 1.5mm <sup>2</sup>
	B	2.5mm <sup>2</sup>
	C	4/6mm <sup>2</sup>
	X	N/A for Bodies
Cable OD Selection only required for Body Style B and G	S	OS (4way)
	O	O (4/6way)
	A	A (4/6way)
	B	B (6way)
	X	N/A for Entries Only

Supplied Brass Nickel Plated as standard  
 Crimp tool for Entry assembly recommended, order part code HTC2  
 Insert tool for Entry assembly required, order part code RCGT1  
 For Alternative threaded entries, a 476 thread adaptor may be required  
 For additional clamping and to meet IEC EN BS 60079-14 10.3, the GMC can be used with the 501/RCG  
 When purchasing Entry component, the required conductor size must be specified

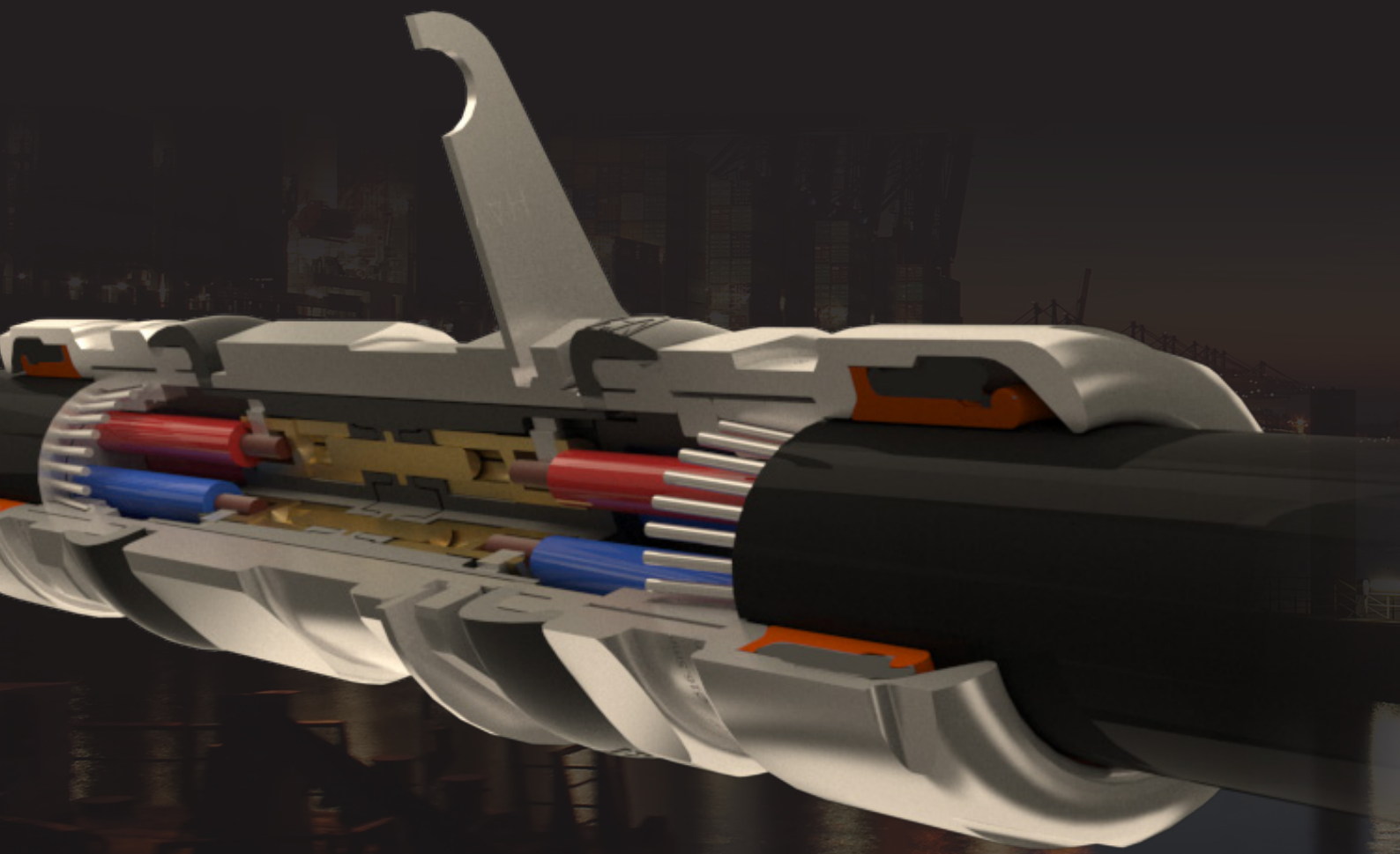
Order Example: 501/RCG-4-G-B-A

T-Rating Selection Table		
Conductor Size	T6 +60°C	T5 +50°C
0.75mm <sup>2</sup>	5A	5A
1.5mm <sup>2</sup>	5A	5A
2.5mm <sup>2</sup>	10A	16A
4mm <sup>2</sup>	12A	18A
6mm <sup>2</sup>	20A	25A (4pin) 20A (6pin)

- Product Amp Rating is dependent on conductor size used in installation. Product comes marked with all T-ratings as standard
- Other conductor sizes between the sizes of 0.75mm<sup>2</sup> - 6mm<sup>2</sup> may be used.
- If the conductor size is not stated in the table above, the max ampage is restricted to the closest size rounded down.  
E.g. 3mm<sup>2</sup> conductor size would be limited to 10A if used in a T6 classification.
- If a mixture of conductor sizes is used, the ampage must be restricted to the smallest diameter used.
- This product may not be connected or disconnected under load.

# RCG SERIES

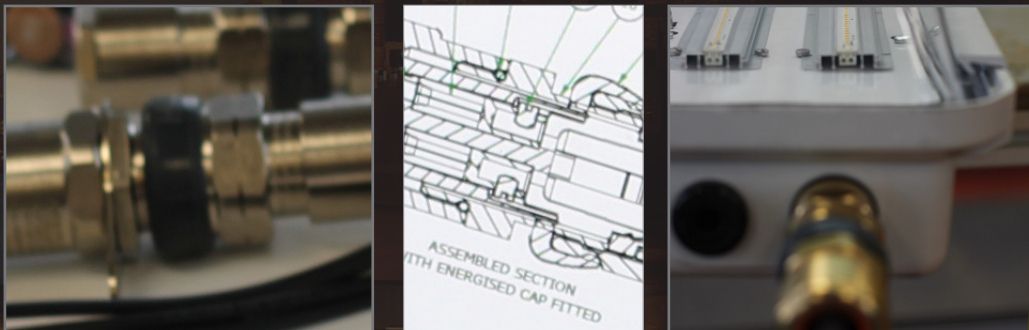
More than a Cable Gland



# ⚡ RCG Coupler

The RCG coupler allows an installer to extend an existing piece of cable without the need to use a junction box, or a more permanent splice kit.

**It combines two RCG cable glands and a simple termination system** to make upgrading installations fast and easy while incorporating plug and play technology for future use.



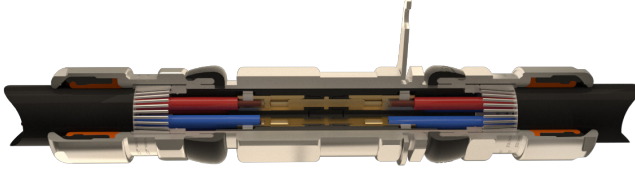
The drive for improvements in performance and efficiency has led to better performing and, in most cases, smaller equipment such as lighting, gas detectors and more. We've seen this particularly in the lighting industry with the benefits of LEDs. No longer constrained by a fixed lamp size, luminaire design has become smaller to make the most of the LED technology it houses.

**The RCG coupler can bridge this gap between new and existing technology/ installations on any facilities such as Rigs and FPSOs.**

# 501/RCG Coupler

Increased Safety, Dust Protection  
 Certified ATEX / IECEx / UKEx

International Approvals

- 1 Quick disconnect pin and socket arrangement inside a connection tube
- 2 Reversible Armour Clamp - For all types of armour and braid
- 3 Patented Cable Gland Tightening Guide - Helps prevent damage caused by over tightening
- 4 Unique Rear Seal - Offering ultimate sealing over an extremely wide cable acceptance range
- 5 External Earthing Tag supplied as standard

The 501/RCG Coupler is certified Exe, and is an inline quick connection product suitable for use as a cable extension device or an alternative to a junction box. Suitable for all types of cable, including unarmoured, armoured and braided.

501/RCG Coupler Selection Table										
Body Size	Seal/Ring Size	Inner Sheath			Outer Sheath		Steel Wire Armour/Tape/Braid		Max Hexagon Dimensions	
		Max	Min	Max	Orientation 1	Orientation 2	Across Flats	Across Corners		
4-Pin	Os	8.1	5.5	12	0.8-1.25	0-0.8	24	26.5		
	O	11.4	9.5	16	0.8-1.25	0-0.8	24	26.5		
	A	14.3	12.5	20.5	0.8-1.25	0-0.8	30	32.5		
6-pin	O	11.4	9.5	16	0.8-1.25	0-0.8	24	26.5		
	A	14.3	12.5	20.5	0.8-1.25	0-0.8	30	32.5		
	B	19.7	16.9	26	1.25-1.6	0-0.7	36	39.5		
	B (AR)	19.7	16.9	26	0.9-1.25	0.5-0.9	36	39.5		

For Alternative Ring with 6-pin B size add "AR" to end of code string

Technical Data	
Ingress Protection	IP66, IP67
Deluge Protection	to DTS01
Voltage Rating	300VAC / 212VDC
Ampage	Dependent on conductor size, see T-Rating Selection Table
Conductor Sizes	0.75mm <sup>2</sup> - 6mm <sup>2</sup>
Over Insulation Acceptance Diameter	Ø5.50mm
Operating Temperature	-60°C to +60°C (may be limited by T-Class)
ATEX/IECEx	
ATEX/IECEx Protection Class	Ex II 2 GD Ex eb IICT6/T5 Gb, Ex tb IIIC T80°C/95°C Db Suitable for use in Zone 1, Zone 21, Zone 2 and Zone 22
ATEX Certificate No	CML20ATEX3217X
IECEx Certificate No	CML20.0137X
Construction & Test Standards	IEC/EN 60079-0, IEC/EN 60079-7 and IEC/EN 60079-31
Additional Certifications	Inmetro: IEx 21.0011X UKEx: CML21UKEX3073X

## Ordering Information

Name	501/RCG	
Number of cores	4	4 pins
	6	6 pins
Body style	C	Coupler
Contact size	A	0.75mm <sup>2</sup> - 1.5mm <sup>2</sup>
	B	2.5mm <sup>2</sup>
	C	4/6mm <sup>2</sup>
Cable OD	S	OS (4way)
	O	O (4/6way)
	A	A (4/6way)
	B	B (6way)

Supplied Brass Nickel Plated as standard  
 For additional clamping and to meet IEC EN BS 60079-14 10.3, the GMC can be used with the 501/RCG  
 A flange mount can be purchased as a separate line item, for details contact Hawke Technical

Order Example: 501/RCG-4-C-B-A

## T-Rating Selection Table

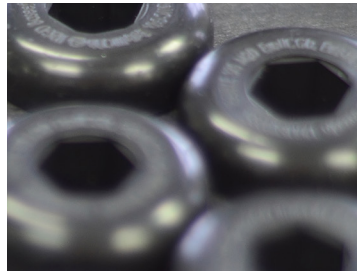
Conductor Size	T6 +60°C	T5 +50°C
0.75mm <sup>2</sup>	5A	5A
1.5mm <sup>2</sup>	5A	5A
2.5mm <sup>2</sup>	10A	12A
4mm <sup>2</sup>	12A	18A
6mm <sup>2</sup>	20A	25A (4pin) 20A (6pin)

- Product Amp Rating is dependent on conductor size used in installation. Product comes marked with all T-ratings as standard
- Other conductor sizes between the sizes of 0.75mm<sup>2</sup> - 6mm<sup>2</sup> may be used.
- If the conductor size is not stated in the table above, the max ampacity is restricted to the closest size rounded down.  
E.g. 3mm<sup>2</sup> conductor size would be limited to 10A if used in a T6 classification.
- If a mixture of conductor sizes is used, the ampacity must be restricted to the smallest diameter used.
- This product may not be connected or disconnected under load.

# Accessories

## Connection Solutions

To easily overcome fitting issues, we have produced an extensive range of thread adaptors, reducers and fittings. These enable interconnection of dissimilar sized connections on cable glands and enclosures while remaining compliant with international standards and approvals. This ensures that the integrity of equipment and safety in hazardous environments is not compromised.



## Designed and Manufactured in the UK

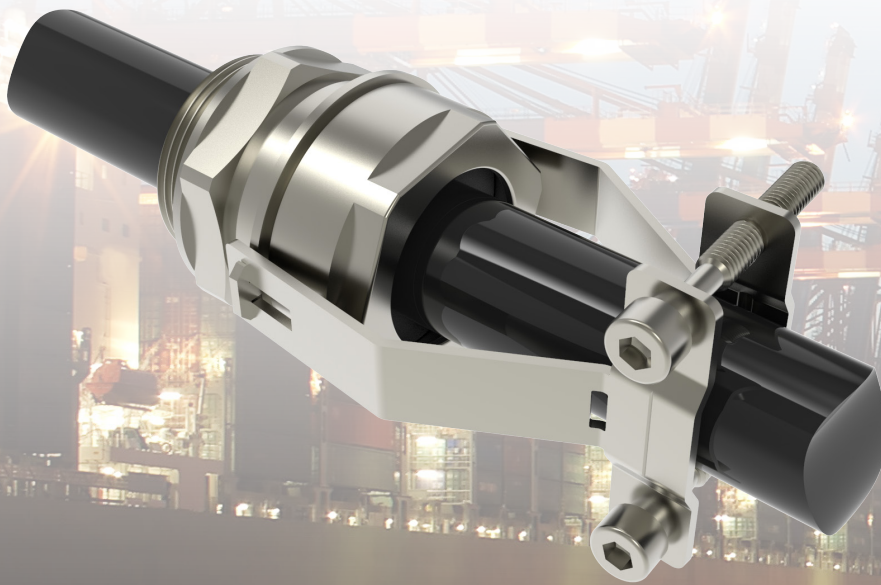
All of our cable glands and related accessories are designed and manufactured from our world-class facility in Manchester, UK where they have been produced for over 60 years.



**Visit the Hawke website  
to see our full range of accessories**

# GMC

GLAND MOUNTED CLAMP



## Cost effective damage prevention

Hawke's Gland Mounted Clamp (GMC) can be used with any Hawke cable gland designs which form a seal on the outer seal of a cable to provide additional cable support and pullout resistance.

Installing a gland mounted clamp is a cost effective solution to prevent potential costly damage to cables and glands.

- Can be fitted to old or new Hawke cable gland designs
- 3 part design allowing retrospective fitting
- Supplied with unarmoured and armoured options

**United Kingdom**

Hawke International Oxford Street West Ashton-under-Lyne Lancashire OL7 0NA  
Tel: +44 (0) 161 830 6695 Fax: +44 (0) 161 830 6698 Email: sales@ehawke.com

Hubbell Scotland 388 Hillington Road Glasgow G52 4BL  
Tel: +44 (0) 141 882 9029 Fax: +44 (0) 141 883 3704 Email: info@hubbell-scotland.com

**U.S.A.**

Hawke International U.S.A. 4140 World Houston Parkway Suite 130 Houston TX 77032  
Tel: +1 (281) 445 7400 Fax: +1 (281) 445 7404 E-mail: america@ehawke.com

**Middle East**

Building No. 5EA Office No. G03 Dubai Airport Free Zone (DAFZ) PO Box 23529 Dubai UAE  
Tel: +974 6612 0728 Email: middle-east@ehawke.com

**Asia Pacific**

130 Joo Seng Road #03-02 Singapore 368357  
Tel: +65 6282 2242 Fax: +65 6284 4244 Email: asia@ehawke.com

**Korea**

512 Hyosung Intellian 681-3 Deungchon Dong Kangseo-Gu Seoul 157-030 Korea  
Tel: +82 2 2063 3719 Fax: +82 2 2603 7386 Mob: +82 10 9977 6349 Email: yyu@hubbell.com.sg

**China**

Room H/I 18F No. 728 Pudong Avenue  
Shanghai International Ocean and Finance Building Shanghai 200120 P.R. China  
Tel: +86 (21) 3392 6550 ext. 317 Fax: +86 (21) 3392 6551 Mob: +86 139 1829 4175 Email: weiyi@hubbell.com.cn